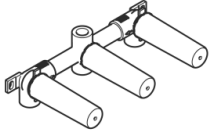


## Concealed wall-mounted mixer centred spout -

---

35 707 970 90

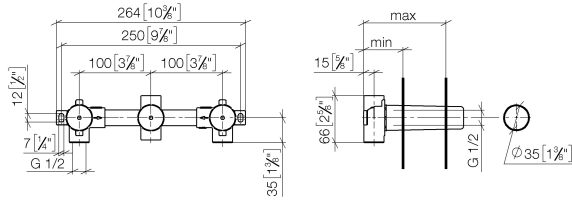


- 3x dust cover
- 2x female thread 1/2" connections
- 1x female thread 1/2" outlet
- 3x sealing plug 1/2"
- gauge 100 mm
- lead-free
- WRAS 1702022

## Concealed wall-mounted mixer centred spout -

35 707 970 90

mm [inches]



|              | min       | max        |
|--------------|-----------|------------|
| Madison      | 55 2 1/8" | 115 4 1/2" |
| Square       | 55 2 1/8" | 110 4 3/8" |
| Circle       | 55 2 1/8" | 130 5 1/8" |
| Vaia         | 60 2 3/8" | 132 5 1/4" |
| Domicil      | 60 2 1/2" | 100 3 7/8" |
| Deque        | 70 2 3/4" | 135 5 3/8" |
| Gentle       | 70 2 3/4" | 135 5 3/8" |
| LaFleur      | 70 2 3/4" | 135 5 3/8" |
| Selv         | 70 2 3/4" | 135 5 3/8" |
| Supernova    | 70 2 3/4" | 135 5 3/8" |
| Symetrics    | 70 2 3/4" | 135 5 3/8" |
| Tara         | 70 2 3/4" | 135 5 3/8" |
| CL_2         | 93 3 5/8" | 115 4 1/2" |
| MEM          | 93 3 5/8" | 138 5 3/8" |
| CL_1         | 93 3 5/8" | 138 5 3/8" |
| La Fleur Cl. | 102 4"    | 144 5 5/8" |

### Certificates

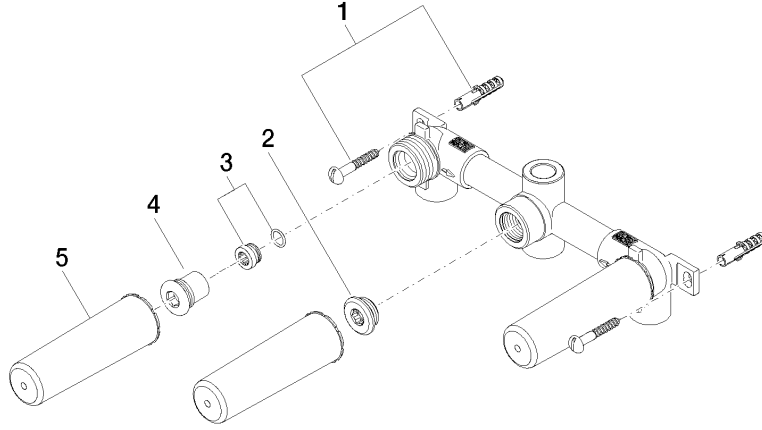
ETA\_19023.

LGA\_19175.

ACS\_20 ACC LY 735.

**Concealed wall-mounted mixer centred spout -**

35 707 970 90



**Spare parts list**

| No. | Item Number        | Name       | Quantity used | Delivery time |
|-----|--------------------|------------|---------------|---------------|
| 1   | 04 30 31 024 01 90 | fixing set | 2             | 2             |
| 2   | 04 31 20 006 00 90 | plug       | 1             | 2             |
| 3   | 04 29 05 018 10 90 | nipple     | 2             | 2             |
| 4   | 04 31 20 037 00 90 | plug       | 2             | 2             |
| 5   | 09 21 02 102 90    | cap        | 3             | 2             |